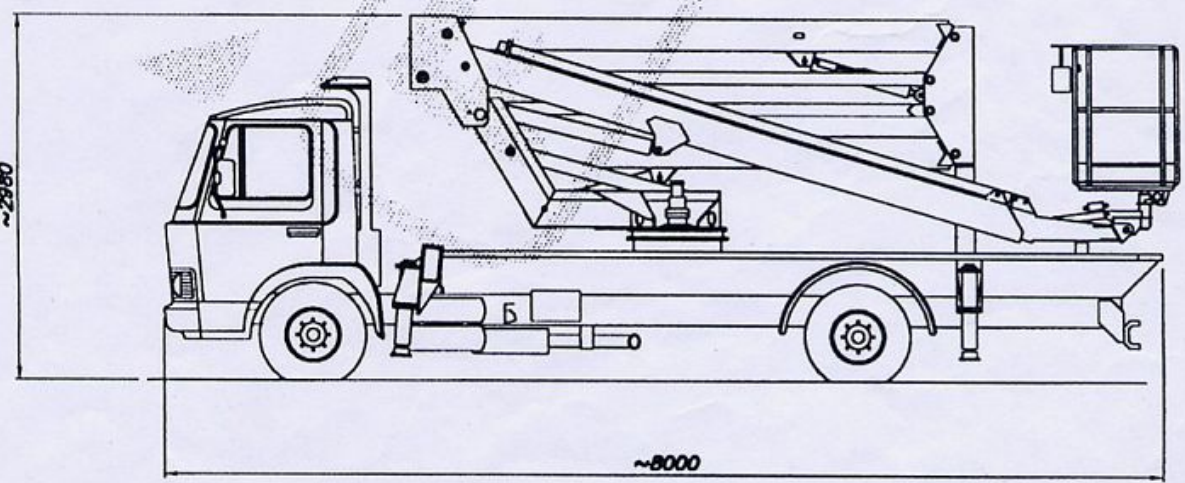
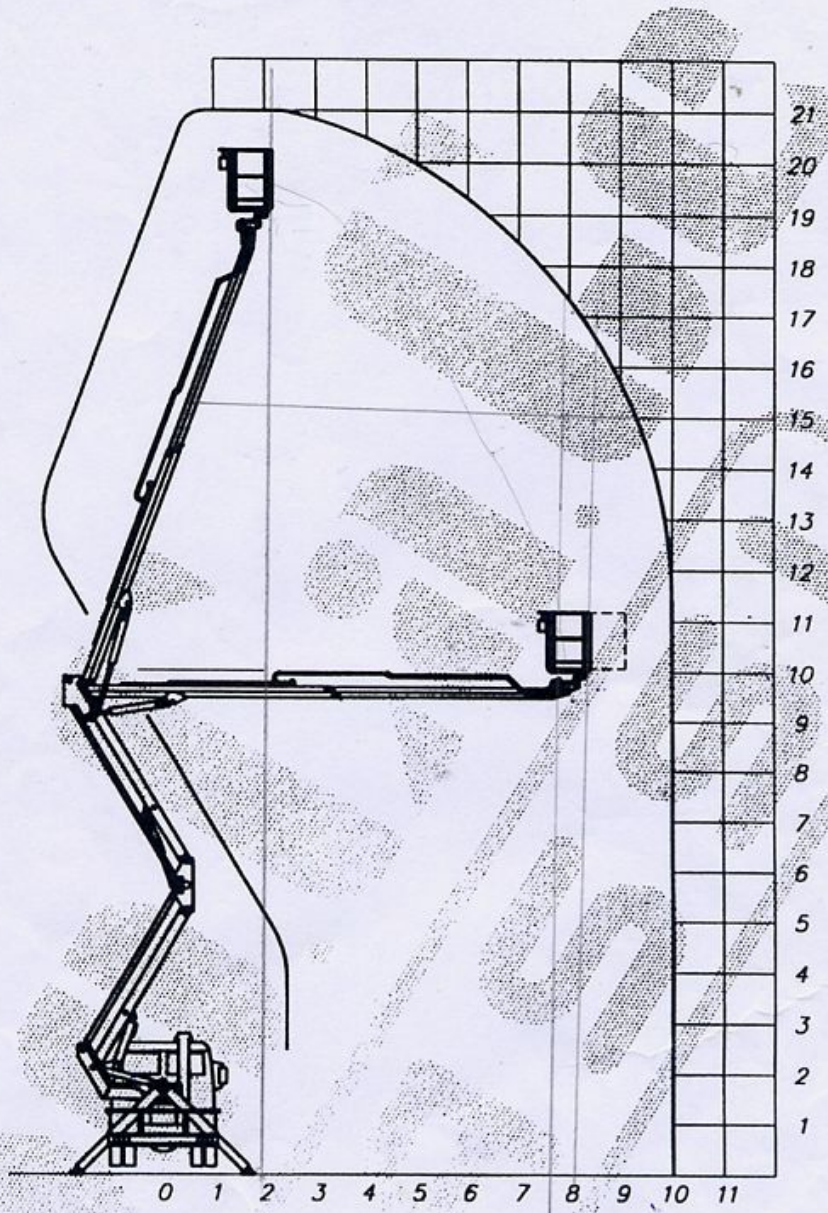




WORKING AREA + GENERAL PLAN



MUM E 21 A1. * Cap. 3.6 *

JIM. 145063
SHING FUNG